



Automation for a Changing World

Delta AC Servo Drive ASDA-A2-E Series



Ether**CAT**[®]



DELTA

Smarter. Greener. Together.

COMTECH

COMTECH Srl Via Polesine 1/4 10020 CAMBIANO (TO) Italy Tel. +39 0119454523

info@e-comtech.it www.e-comtech.it

Introduction

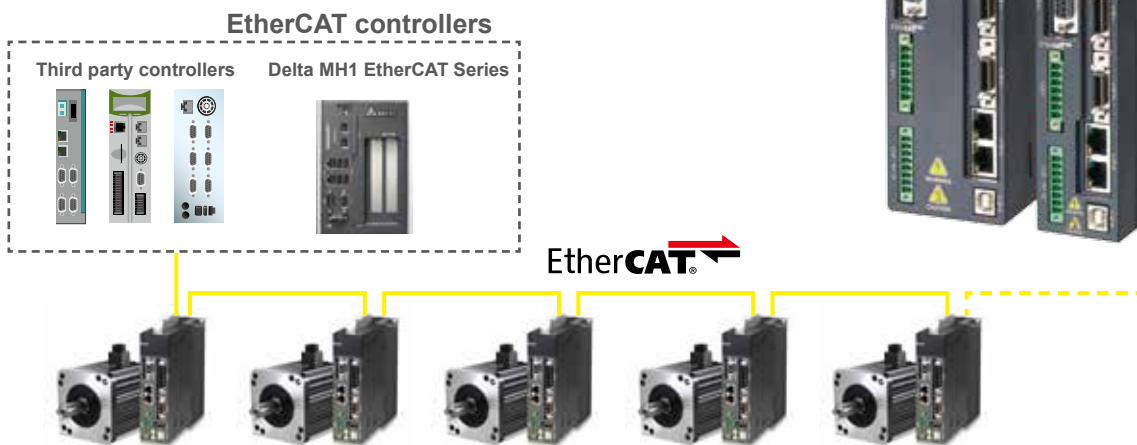
Delta's ASDA-A2-E, an advanced AC Servo Drive with an EtherCAT communication interface, complies with IEC61158 and IEC61800-7 and follows in the footsteps of the successful ASDA-A2 series. This advanced A2-E supports all the modes of the CoE device profile based on CiA402 and all command types of EtherCAT; features built-in Safe Torque Off (STO) function which prevents torque energy from continuing to act upon a motor and avoid accidents. In addition, A2-E offers extension digital input port for a wide range of machinery automation fields. This series cover power range from 400W to 7.5kW for 400V and 100W to 3kW for 220V.

ASDA-A2-E Series is your ideal servo drive to achieve high speed multi-axis synchronization applications.

Features

- Pass EtherCAT conformance test by EtherCAT Technology Group (ETG)
- Integrated Safe Torque Off (STO) safety function according to the following standards:
 - IEC EN 61508 (SIL 2)
 - IEC 62016 (SIL 2)
 - ISO 13849-1 (Cat.3 PL=d)
- Supports full closed-loop control (use output signals from sensors)
- Supports absolute type and incremental type servo motors
- Supports high speed position latch (Capture) function
 - Enabled with dedicated Digital Input (DI) on CN7 or the external encoder

Applications



Specifications of ASDA-A2-E_220V Series

ASDA-A2-E Series		100W	200W	400W	750W	1kW	1.5kW	2kW	3kW	
		01	02	04	07	10	15	20	30	
Power Supply	Phase / Voltage	Three-phase / Single-phase 220 V _{AC}						Three-phase 220 V _{AC}		
	Permissible Voltage Range	Three-phase / Single-phase 200 ~ 230 V _{AC} , -15%~10%						Three-phase 200 ~ 230 V _{AC} , -15% ~ 10%		
Input Current (3PH) Unit: Arms		0.39	1.11	1.86	3.66	4.68	5.9	8.76	9.83	
Input Current (1PH) Unit: Arms		0.69	1.92	3.22	6.78	8.88	10.3	-	-	
Continuous Output Current Unit: Arms		0.9	1.55	2.6	5.1	7.3	8.3	13.4	19.4	
Cooling Method		Natural Air Circulation			Fan Cooling					
Encoder Resolution (Servo Drive Resolution)		Incremental type: 20-bit ; Absolute type: 17-bit								
Control of Main Circuit		SVPWM (Space Vector Pulse Width Modulation) Control								
Tuning Modes		Auto / Manual								
Dynamic Brake		no			Built-in					
Position Control Mode (CSP)	Command Source	DS402 object								
	Smoothing Strategy	Low-pass and P-curve filter								
Mode	Electronic Gear	Electronic gear N/M multiple N: 1 ~ 32767, M: 1 : 32767 (1/50 < N/M < 25600)								
	Torque Limit Operation	DS402 object								
Speed Control Mode (CSV)	Feed Forward Compensation	Internal parameters								
	Speed Control Range ^{*1}	1:5000						1:3000		
Torque Control Mode (CST)	Command Source	DS402 object								
	Smoothing Strategy	Low-pass filter								
Digital Inputs/Outputs	Inputs	Servo on, Reset, Gain switching, Zero speed CLAMP, Command input reverse control, Command triggered, Speed/ Torque limit enabled, Position command selection, Motor stop, Speed position selection, Position / Speed mode switching, Speed / Torque mode switching, Torque / Position mode switching, Emergency stop, Forward / Reverse inhibit limit, Reference "Home" sensor, Forward / Reverse operation torque limit, Move to "Home", Electronic Cam (E-Cam), Forward / Reverse JOG input, Event trigger PR command, Electronic gear ratio (Numerator) selection								
	Outputs	Encoder signal output (A, B, Z Line Driver and Z Open Collector) Servo ready, Servo on, At Zero speed, At Speed reached, At Positioning completed, At Torques limit, Servo alarm (Servo fault) activated, Electromagnetic brake control, Homing completed, Output overload warning, Servo warning activated, Position command overflow, Forward / Reverse software limit, Internal position command completed, Capture operation completed output., Motion control completed output., Master position of E-Cam (Electronic Cam)								
Protective Functions		Overcurrent, Undervoltage, Motor overheated, Regeneration error, Overload, Overspeed, Abnormal pulse control command, Excessive deviation, Encoder error, Adjustment error, Emergency stop activated, Reverse/ Forward limit switch error, Position excessive deviation of full-close control loop, Serial communication error, Input power phase loss, Serial communication time out, short circuit protection of U, V, W, and CN1, CN2, CN3 terminals								
Communication Interface		USB / EtherCAT								
Environment	Installation Site	Indoor location (free from direct sunlight), no corrosive liquid and gas (far away from oil mist, flammable gas, dust)								
	Altitude	Altitude 1000 m or lower above sea level								
	Atmospheric Pressure	86kPa ~ 106kPa								
	Operating Temperature	0°C ~ 55°C (If operating temperature is above 45°C , forced cooling will be required)								
	Storage Temperature	-20°C ~ 65°C								
	Humidity	0 ~ 90% RH (non-condensing)								
	Vibration	9.80665 m/s ² (1 G) less than 20 Hz, 5.88 m/s ² (0.6 G) 20 to 50 Hz								
	IP Rating	IP20								
Power System	TN System ^{*3}									
Approvals	IEC/EN 61800-5-1, UL 508C, C-tick									

Footnote:

*1 Rated rotation speed: When full load, speed ratio is defined as the minimum speed (the motor will not pause).

*2 When command is rated rotation speed, the speed fluctuation rate is defined as: (Empty load rotation speed – Full load rotation speed) / Rated rotation speed

*3 TN system: A power distribution system having one point directly earthed, the exposed conductive parts of the installation being connected to that point by a protective earth conductor.



Specifications of ASDA-A2-E_400V Series

ASDA-A2-E Series		400W	750W	1kW	1.5kW	2kW	3kW	4.5kW	5.5kW	7.5kW
		04	07	10	15	20	30	45	55	75
Power Supply	Input Voltage	24V _{DC} , ±10%								
	Input Current	0.43A			1.18A			1.66A		
	Input Power	10.32W			28.2W			39.85W		
Main Circuit Power	Permissible Voltage Range	Three-phase, 380~480V _{AC} , ±10%								
	Input Current Unit: Arms	1.40	2.35	3.02	4.24	5.65	8.01	11.9	14.1	17.27
	Continuous Output Current Unit: Arms	2.0	3.35	3.52	5.02	6.66	11.9	20	22.37	30
Cooling Method		Fan Cooling								
Encoder Resolution (Servo Drive Resolution)		Incremental type: 20-bit ; Absolute type: 17-bit								
Control of Main Circuit		SVPWM (Space Vector Pulse Width Modulation) Control								
Tuning Modes		Auto / Manual								
Dynamic Brake		Built-in			no					
Position Control Mode (CSP)	Command Source	DS402 object								
	Smoothing Strategy	Low-pass and P-curve filter								
Mode (CSP)	Electronic Gear	Electronic gear N/M multiple N: 1 ~ 32767, M: 1 : 32767 (1/50 < N/M < 25600)								
	Torque Limit Operation	DS402 object								
	Feed Forward Compensation	Internal parameters								
Speed Control Mode (CSV)	Speed Control Range ^{*1}	1:5000			1:3000					
	Command Source	DS402 object								
Mode (CSV)	Smoothing Strategy	Low-pass and S-curve filter								
	Torque Limit Operation	Set by parameters								
	Frequency Response Characteristic	Maximum 1 kHz								
Torque Control Mode (CST)	Speed Accuracy (at rated rotation speed) ^{*2}	0.01 % or less at 0 to 100 % load fluctuation								
	Feed Forward Compensation	0.01 % or less at 0°C to 50°C ambient temperature fluctuation								
	Speed Limit Operation	0.01 % or less at ±10 % power fluctuation								
Digital Inputs/Outputs	Command Source	DS402 object								
	Smoothing Strategy	Low-pass filter								
Protective Functions	Speed Limit Operation	Via analog input								
	Inputs	Servo on, Reset, Gain switching, Zero speed CLAMP, Command input reverse control, Command triggered, Speed/Torque limit enabled, Position command selection, Motor stop, Speed position selection, Position / Speed mode switching, Speed / Torque mode switching, Torque / Position mode switching, Emergency stop, Forward / Reverse inhibit limit, Reference "Home" sensor, Forward / Reverse operation torque limit, Move to "Home", Electronic Cam (E-Cam), Forward / Reverse JOG input, Event trigger PR command, Electronic gear ratio (Numerator) selection								
Outputs	Outputs	Encoder signal output (A, B, Z Line Driver and Z Open Collector)								
	Outputs	Servo ready, Servo on, At Zero speed, At Speed reached, At Positioning completed, At Torques limit, Servo alarm (Servo fault) activated, Electromagnetic brake control, Homing completed, Output overload warning, Servo warning activated, Position command overflow, Forward / Reverse software limit, Internal position command completed, Capture operation completed output., Motion control completed output., Master position of E-Cam (Electronic Cam)								
Protective Functions		Overcurrent, Overvoltage, Undervoltage, Motor overheated, Regeneration error, Overload, Overspeed, Abnormal pulse control command, Excessive deviation, Encoder error, Adjustment error, Emergency stop activated, Reverse/ Forward limit switch error, Position excessive deviation of full-close control loop, Serial communication error, Input power phase loss, Serial communication time out, short circuit protection of U, V, W, and CN1, CN2, CN3 terminals								
Communication Interface		USB / EtherCAT								
Environment	Installation Site	Indoor location (free from direct sunlight), no corrosive liquid and gas (far away from oil mist, flammable gas, dust)								
	Altitude	Altitude 1000 m or lower above sea level								
	Atmospheric Pressure	86 kPa ~ 106 kPa								
	Operating Temperature	0°C ~ 55°C (If operating temperature is above 45°C , forced cooling will be required)								
	Storage Temperature	-20°C ~ 65°C								
	Humidity	0 ~ 90% RH (non-condensing)								
	Vibration	9.80665 m/s ² (1 G) less than 20 Hz, 5.88 m/s ² (0.6G) 20 to 50 Hz								
	IP Rating	IP20								
Power System	TN System ^{*3}									
Approvals	IEC/EN 61800-5-1, UL 508C, C-tick									

Footnote:

*1 Rated rotation speed: When full load, speed ratio is defined as the minimum speed (the motor will not pause).

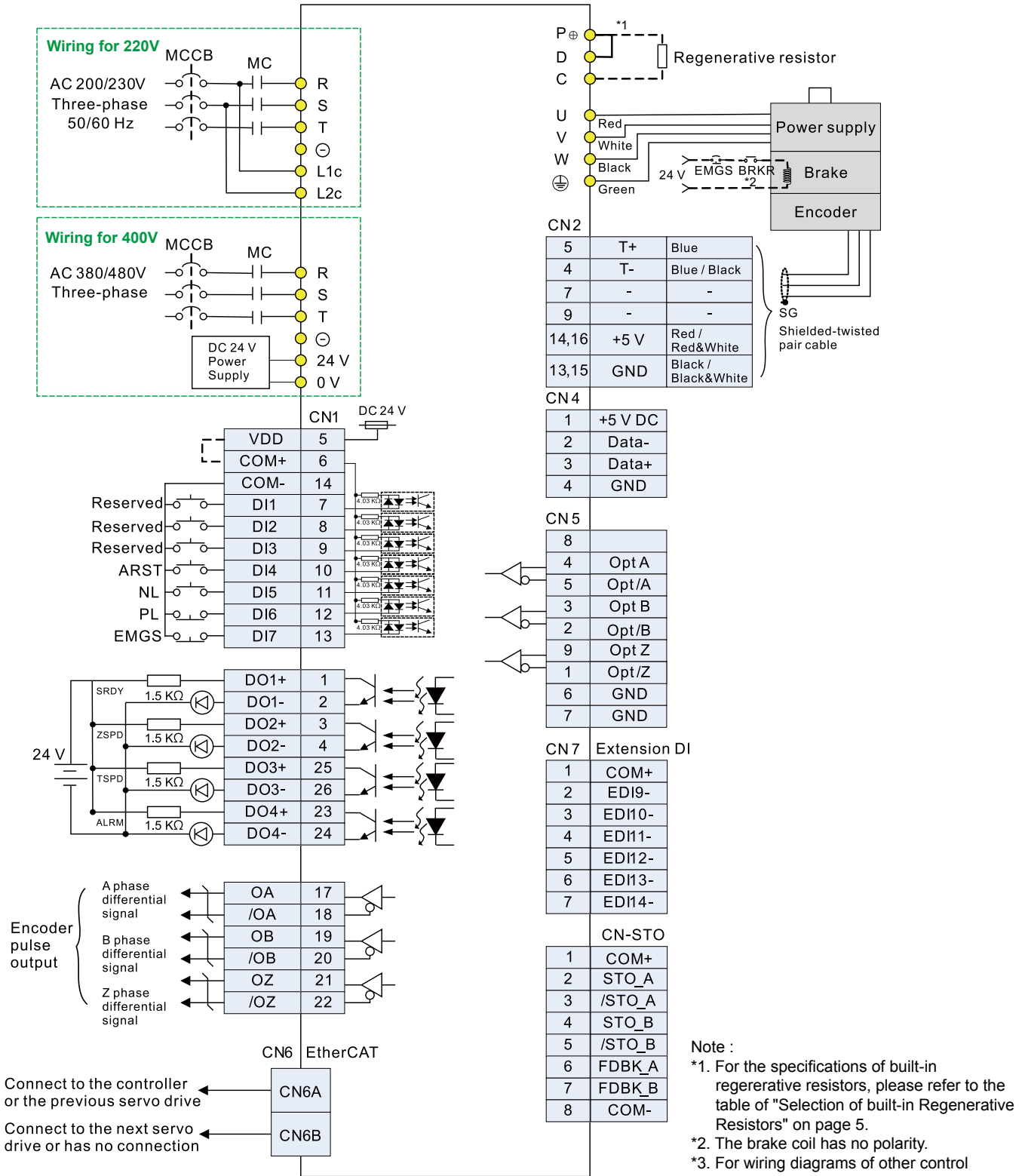
*2 When command is rated rotation speed, the speed fluctuation rate is defined as: (Empty load rotation speed – Full load rotation speed) / Rated rotation speed

*3 TN system: A power distribution system having one point directly earthed, the exposed conductive parts of the installation being connected to that point by a protective earth conductor.



EtherCAT Communication Mode

Servo drive ASDA A2-E series



Note :

- *1. For the specifications of built-in regenerative resistors, please refer to the table of "Selection of built-in Regenerative Resistors" on page 5.
- *2. The brake coil has no polarity.
- *3. For wiring diagrams of other control modes, please refer to the user manual of Delta's ASDA-A2-E.

Communication Specifications

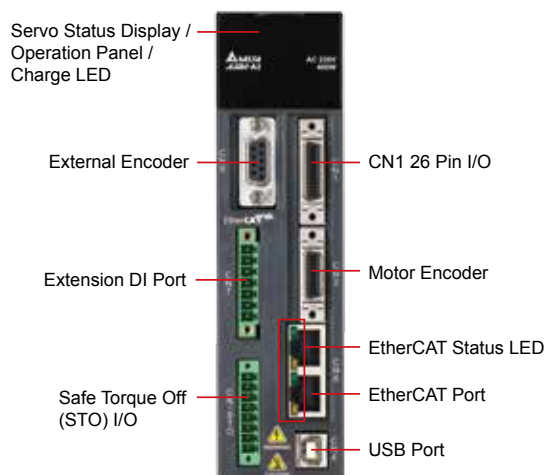
Physical Layer	IEEE802.3u (100 BASE-TX)
Data Link Layer	APRD, FPRD, BRD, LRD, APWR, FPWR, BWR, LWR, ARMW, FRMW, APRW, FPRW, BRW, LRW
Device Profile (CiA402)	Homing Mode, Profile Position Mode, Profile Velocity Mode, Profile Torque Mode, Interpolated Position Mode, Cyclic Syn. Position Mode, Cyclic Syn. Velocity Mode, Cyclic Syn. Torque Mode, Touch Probe Function, Torque Limit Function
Process Data Size	Tx: 8 Object (32 byte, Max.); Rx: 8 Object (32 byte, Max.) Dynamic Mapping supported.
Bus Clock	DC cycle with min. 250 us*
LED Indicator	EtherCAT Link/Activity Indicator (L/A) x 2 EtherCAT RUN Indicator (RUN) x 1 EtherCAT ERROR Indicator (ERR) x 1

* This function will be available in a new version soon to come.

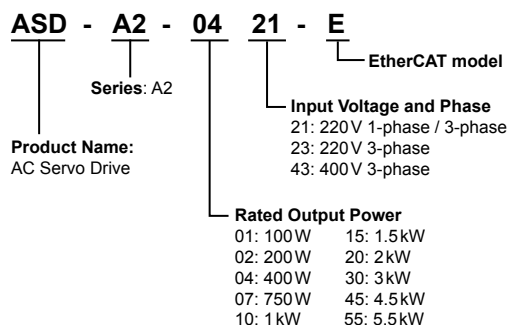
Selection of Built-in Regenerative Resistors

220V Series									
Servo Drive (kW)	100 W	200 W	400 W	750 W	1.0 kW	1.5 kW	2.0 kW	3.0 kW	
Specification of Built-in Regenerative Resistor	NA	NA	40 W 40 ohm	60 W 40 ohm	60 W 40 ohm	60 W 40 ohm	100 W 20 ohm	100 W 20 ohm	
400V Series									
Servo Drive (kW)	400 W	750 W	1.0 kW	1.5 kW	2.0 kW	3.0 kW	4.5 kW	5.5 kW	7.5 kW
Specification of Built-in Regenerative Resistor	40 W 80 ohm	40 W 80 ohm	40 W 80 ohm	40 W 80 ohm	NA	NA	NA	NA	NA

Part Names and Functions



Ordering Information




Accessories for ASDA-A2-E

Part Number	ASD-CN5C0026
Description	CN1 connector



Part Number	ASD-CNFS0808
Description	Pack of connectors used for STO wiring, 8 pcs of connectors in one pack

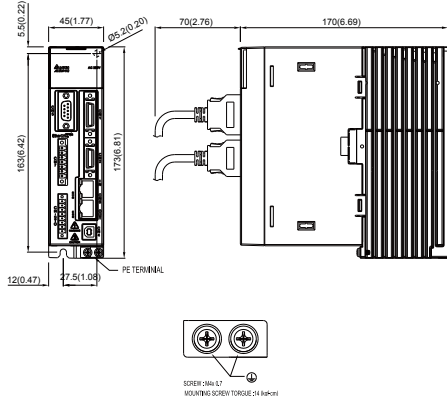


Note :
For other accessories, please refer to Delta's ASDA-A2 product catalogue.

Dimensions

► 220 V Series

100 W / 200 W / 400 W

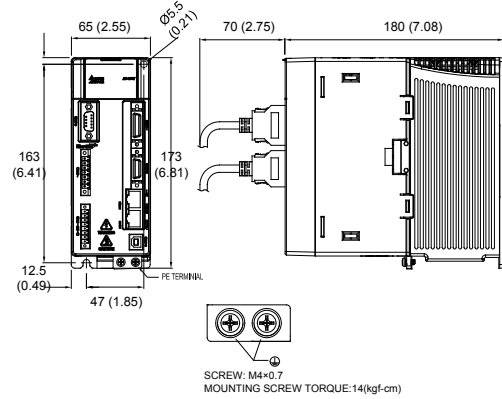


Weight 1.5 (3.3)

Weight

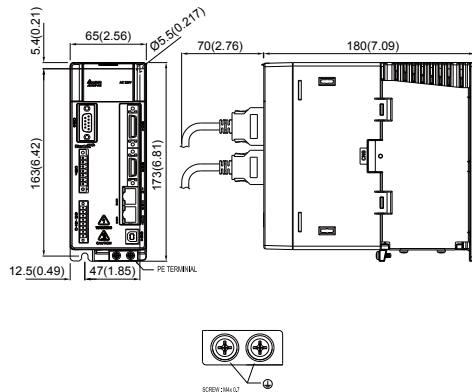
► 400 V Series

400 W / 750 W / 1 kW / 1.5 kW



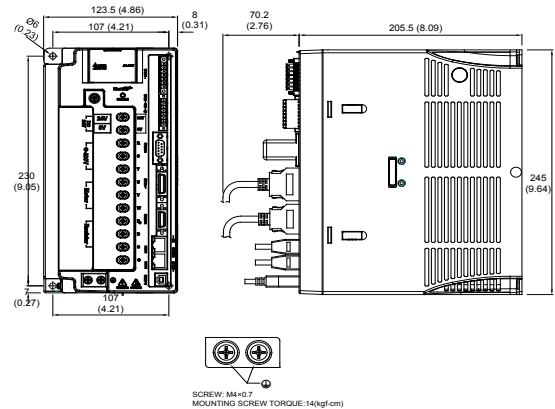
Weight 2.0 (4.4)

750 W / 1 kW / 1.5 kW



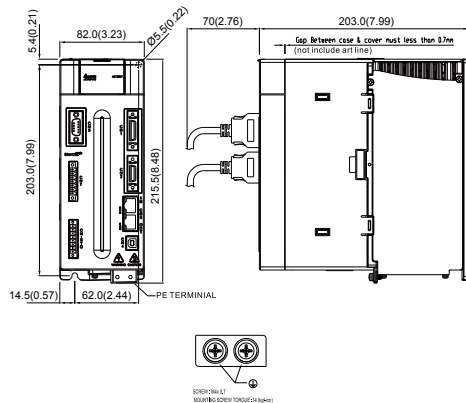
Weight 2.0 (4.4)

2 kW / 3 kW / 4.5 kW / 5.5 kW



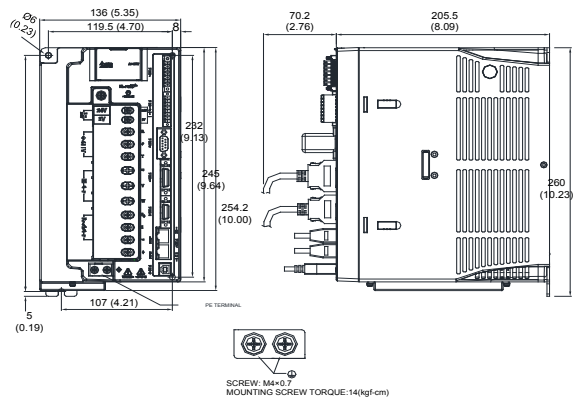
Weight 4.6 (10.1)

2 kW / 3 kW



Weight 2.89 (6.36)

7.5 kW



Weight 5.5 (12.1)

Footnote:

1. Dimensions are in millimeters (inches); Weights are in kilograms (kg) and pounds (lbs)
2. Dimensions and weights of the servo drive may be revised without prior notice.



Smarter. Greener. Together.

Industrial Automation Headquarters

Delta Electronics, Inc.

Taoyuan Technology Center
18 Xinglong Road, Taoyuan District,
Taoyuan City 33068, Taiwan (R.O.C.)
TEL: 886-3-362-6301 / FAX: 886-3-371-6301

Asia

Delta Electronics (Jiangsu) Ltd.

Wujiang Plant 3
1688 Jiangxing East Road,
Wujiang Economic Development Zone
Wujiang City, Jiang Su Province, P.R.C. 215200
TEL: 86-512-6340-3008 / FAX: 86-769-6340-7290

Delta Greentech (China) Co., Ltd.

238 Min-Xia Road, Pudong District,
ShangHai, P.R.C. 201209
TEL: 86-21-58635678 / FAX: 86-21-58630003

Delta Electronics (Japan), Inc.

Tokyo Office
2-1-14 Minato-ku Shibadaimon,
Tokyo 105-0012, Japan
TEL: 81-3-5733-1111 / FAX: 81-3-5733-1211

Delta Electronics (Korea), Inc.

1511, Byucksan Digital Valley 6-cha, Gasan-dong,
Geumcheon-gu, Seoul, Korea, 153-704
TEL: 82-2-515-5303 / FAX: 82-2-515-5302

Delta Electronics Int'l (S) Pte Ltd.

4 Kaki Bukit Ave 1, #05-05, Singapore 417939
TEL: 65-6747-5155 / FAX: 65-6744-9228

Delta Electronics (India) Pvt. Ltd.

Plot No 43 Sector 35, HSIIDC
Gurgaon, PIN 122001, Haryana, India
TEL : 91-124-4874900 / FAX : 91-124-4874945

Americas

Delta Products Corporation (USA)

Raleigh Office
P.O. Box 12173, 5101 Davis Drive,
Research Triangle Park, NC 27709, U.S.A.
TEL: 1-919-767-3800 / FAX: 1-919-767-8080

Delta Greentech (Brasil) S.A.

Sao Paulo Office
Rua Itapeva, 26 - 3° andar Edificio Itapeva One-Bela Vista
01332-000-São Paulo-SP-Brazil
TEL: 55 11 3568-3855 / FAX: 55 11 3568-3865

Europe

Delta Electronics (Netherlands) B.V.

Eindhoven Office
De Witbogt 20, 5652 AG Eindhoven, The Netherlands
TEL: +31 (0)40-8003800 / FAX: +31 (0)40-8003898

COMTECH

Via Polesine, 1/4
10020 Cambiano (TO) Italy
+39 011 9454523
www.e-comtech.it

info@e-comtech.it

*We reserve the right to change the information in this catalogue without prior notice.